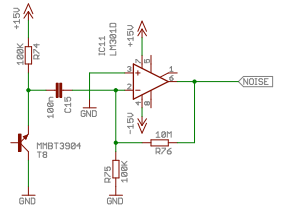
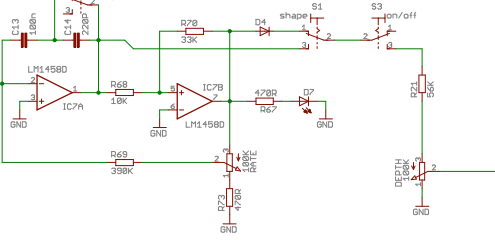


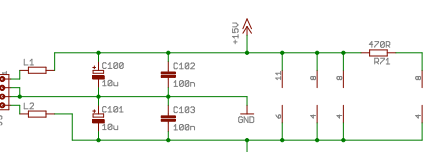
NOISE



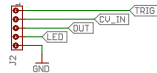
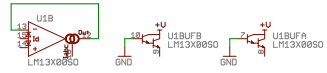
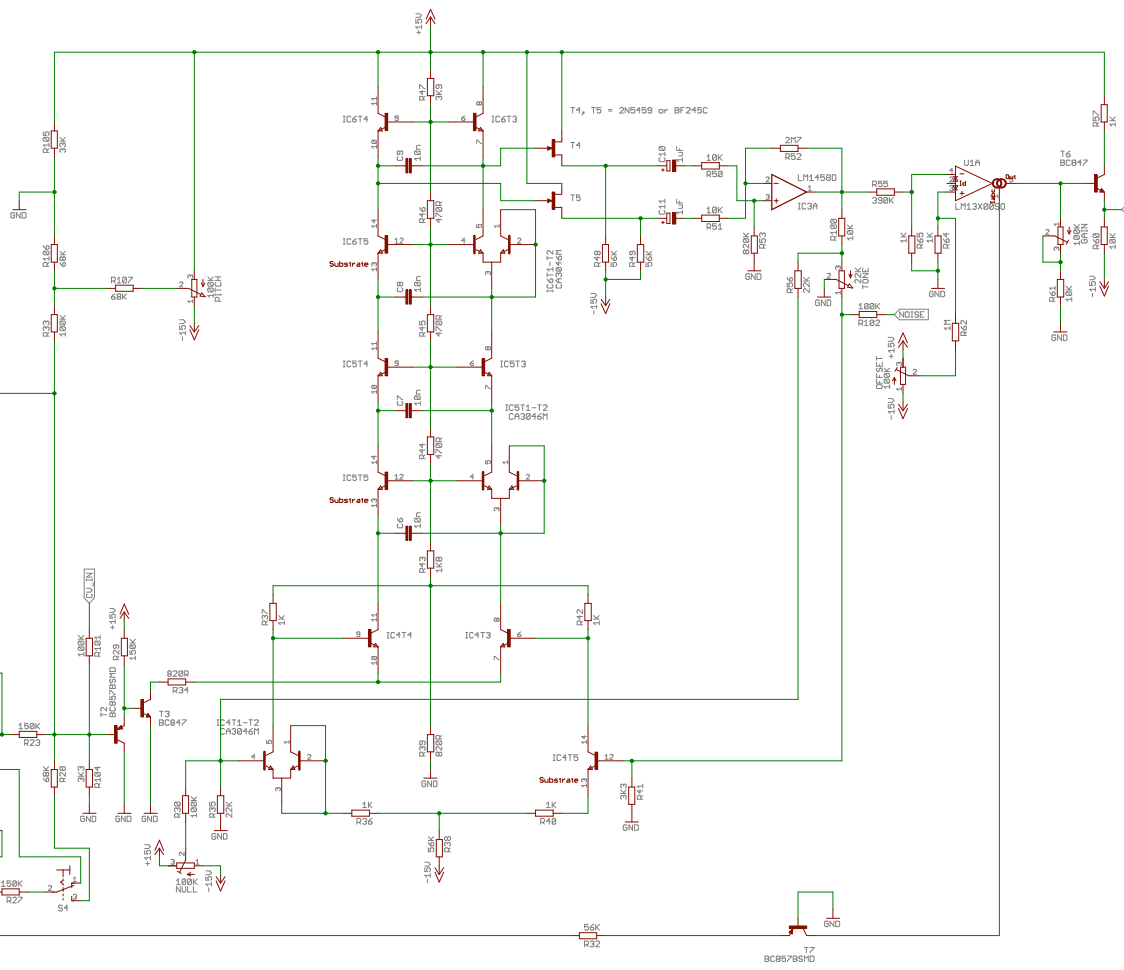
LFO



POWER



Remarks :
 All diodes : 1N4148
 2N5172 can be substituted by BC547B
 2N5459 can be substituted by BF245C
 Care should be applied to the pinouts in that case



NOT FOR COMMERCIAL USE

SIMMONS SDS-3	
Redrawn from original schematic. Thanks to Heifer for his corrections and patience	
TITLE: SDS3_U4_BOARD_SMD_13700	
Document Number:	sdii.xpmt.net
Date: 30/11/13 16:48	Sheet: 1/1